

## DOUBLE ROW LIGHTS

PT#	WIDTH IN.	STYLE	BEAM PATTERN	TOTAL WATTS	LUMENS	AMPS
Z30BC14W20W	3	WIDE ANGLE POD	FLOOD/SIDE	20	2,400	1,66
Z30BC14W20	3	POD	FLOOD	20	1,600	1,66
Z30BC14W20S	3	POD	SPOT	20	1,600	1,66
Z30BC14W36	6	STRAIGHT	COMBO	36	2,900	3
Z30BC14W72	12	STRAIGHT	COMBO	72	5,800	6
Z30BC14W120	20	STRAIGHT	COMBO	120	9,600	10
Z30BC14W180	30	STRAIGHT	COMBO	180	14,400	15
Z30BC14W240	40	STRAIGHT	COMBO	240	19,200	20
Z30BC14W288	50	STRAIGHT	COMBO	288	23,000	24
Z30BC14W300	52	STRAIGHT	COMBO	300	24,000	25
Z30CBC14W180	30	CURVED	COMBO	180	11,700	15
Z30CBC14W240	40	CURVED	COMBO	240	15,600	20
Z30CBC14W288	50	CURVED	COMBO	288	18,720	24
Z30CBC14W300	52	CURVED	COMBO	300	19,500	25

## SLIMLINE SINGLE ROW LIGHTS

PT#	WIDTH IN.	STYLE	BEAM PATTERN	TOTAL WATTS	LUMENS	AMPS
Z30S1-6-D1J	6	STRAIGHT	COMBO	45	3,500	3,75
Z30S1-10-D1J	10	STRAIGHT	COMBO	75	5,800	6,25
Z30S1-6-P7EJ	6	STRAIGHT	COMBO	30	3,000	2,5
Z30S1-10-P7EJ	10	STRAIGHT	COMBO	50	5,000	4,16
Z30S1-20-P7EJ	20	STRAIGHT	COMBO	100	10,000	8,33
Z30S1-30-P7EJ	30	STRAIGHT	COMBO	200	20,000	16,66
Z30S1-40-P7EJ	40	STRAIGHT	COMBO	200	19,400	16,66
Z30S1-50-P7EJ	50	STRAIGHT	COMBO	250	25,000	20,83



### WIDE BEAM DOUBLE ROW LIGHTS

PT#	WIDTH IN.	STYLE	BEAM PATTERN	TOTAL WATTS	LUMENS	AMPS
ALO-2-E12T	POD	STRAIGHT	120°	40	3,200	3,33
ALO-10-E12J	10	STRAIGHT	120°	100	8,000	8,33
ALO-20-E12J	20	STRAIGHT	120°	200	16,000	16,66
ALO-30-E12J	30	STRAIGHT	120°	300	24,000	25

### WIDE BEAM SINGLE ROW LIGHTS

PT#	WIDTH IN.	STYLE	BEAM PATTERN	TOTAL WATTS	LUMENS	AMPS
ALO-L-2-E13T	POD	STRAIGHT	120°	20	1,600	1,66
ALO-L-4-E13T	6	STRAIGHT	120°	40	3,200	3,33
ALO-S1-10-E13J	10	STRAIGHT	120°	50	4,000	4,16
ALO-S1-20-E13J	20	STRAIGHT	120°	100	8,000	8,33
ALO-S1-30-E13J	30	STRAIGHT	120°	150	12,000	12,5

### TRI BEAM SINGLE ROW LIGHTS

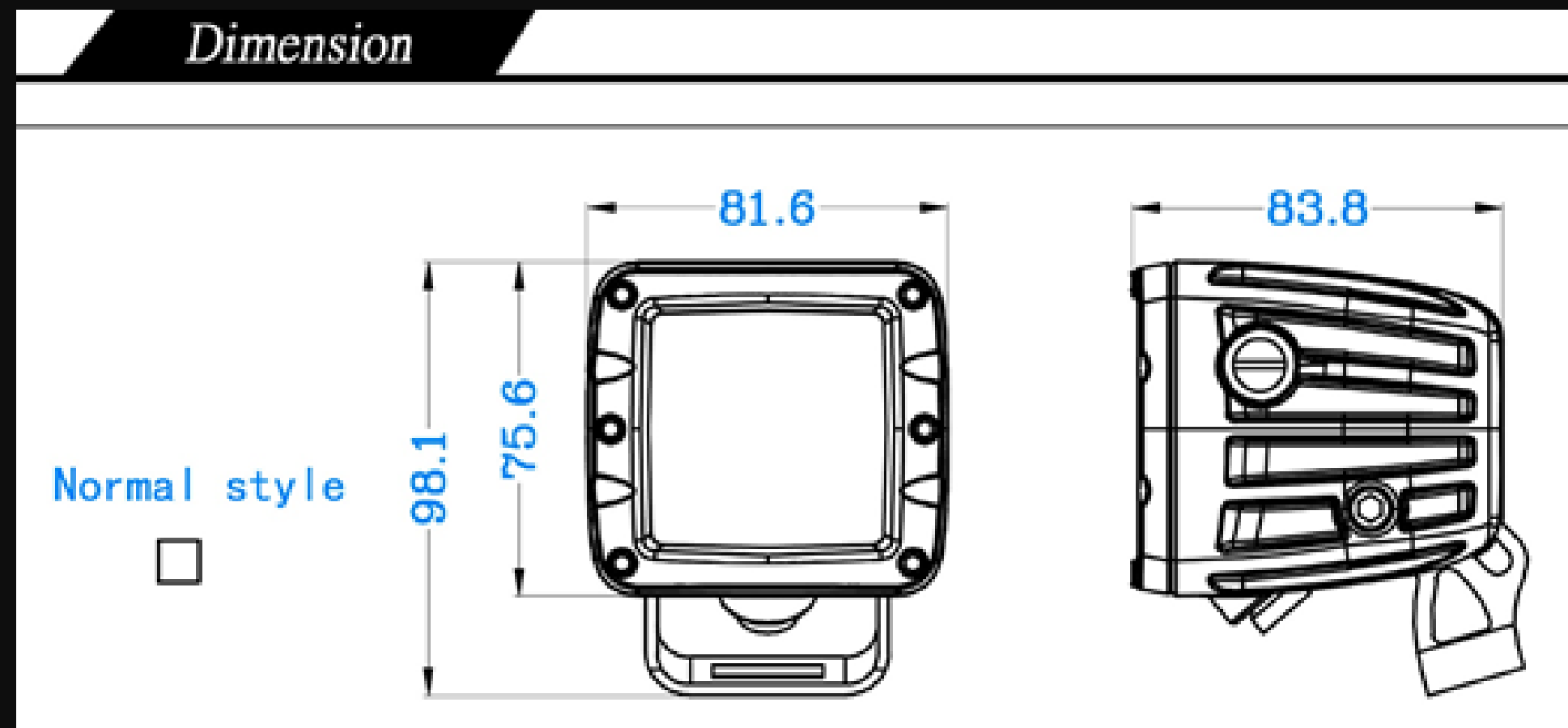
PT#	WIDTH IN.	STYLE	BEAM PATTERN	TOTAL WATTS	LUMENS	AMPS
NTM01-10	10	STRAIGHT	MULTIPLE	42	2,670	3,5
NTM01-20	20	STRAIGHT	MULTIPLE	84	5,250	7
NTM01-30	30	STRAIGHT	MULTIPLE	126	8,270	10,5
NTM01-40	40	STRAIGHT	MULTIPLE	190	11,860	15,83
NTM01-50	50	STRAIGHT	MULTIPLE	230	14,570	19,16



## SINGLE ROW CURVED

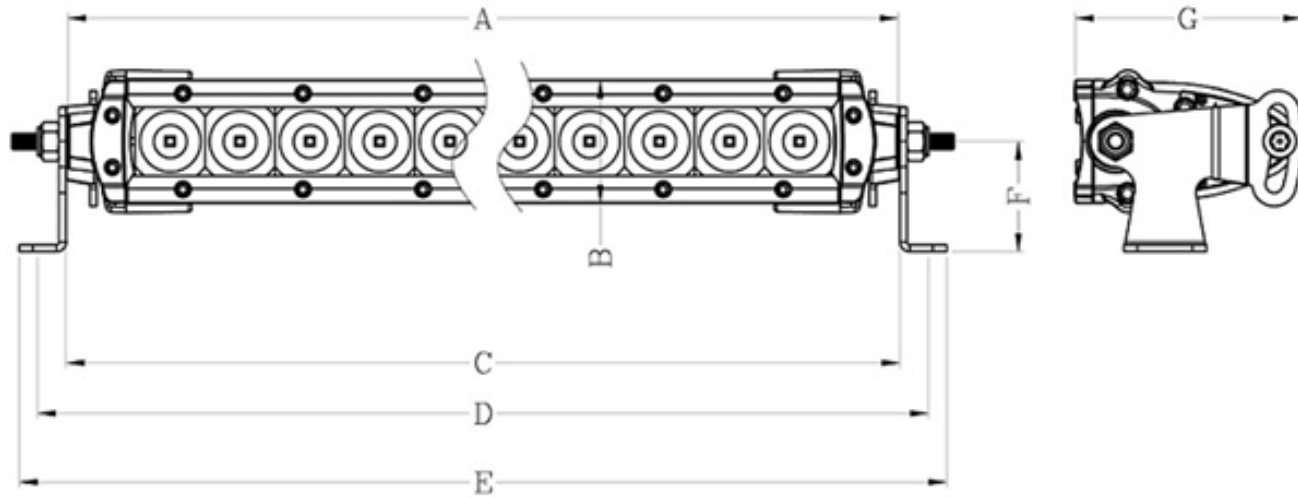
PT#	WIDTH IN.	STYLE	BEAM PATTERN	TOTAL WATTS	LUMENS	AMPS
Z30CBCS12W140	30	CURVED	COMBO	140	9,800	11,66
Z30CBCS12W200	40	CURVED	COMBO	200	14,000	16,66
Z30CBCS12W240	50	CURVED	COMBO	240	16,800	20

## CUBE LIGHT



## SINGLE ROW

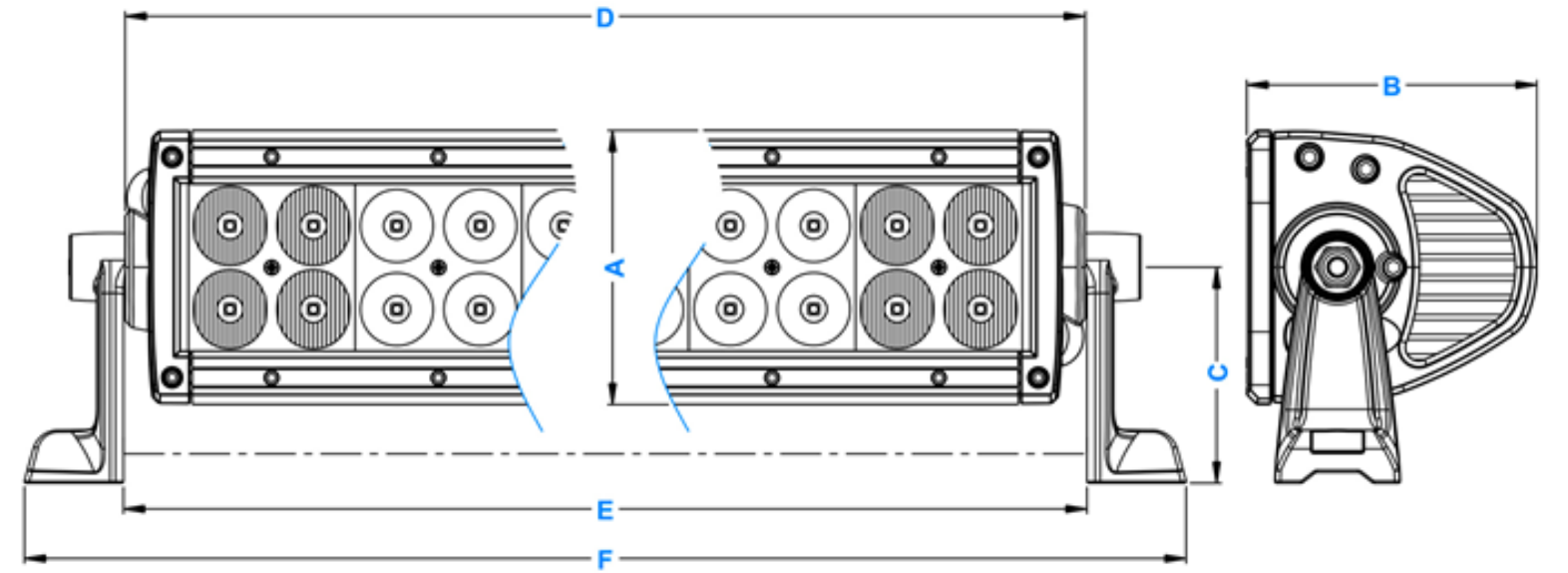
### Dimension



size	6"	10"	20"	30"	40"	50"
A	199.6mm	301.6mm	555.6mm	809.6mm	1063.6mm	1317.6mm
B	44.6mm	44.6mm	44.6mm	44.6mm	44.6mm	44.6mm
C	200.9mm	302.9mm	556.9mm	810.9mm	1064.9mm	1318.9mm
D	221.7mm	323.7mm	577.7mm	831.7mm	1085.7mm	1339.7mm
E	234.9mm	336.9mm	590.9mm	844.9mm	1098.9mm	1352.9mm
F	40mm	40mm	40mm	40mm	40mm	40mm
G	82.3mm	82.3mm	82.3mm	82.3mm	82.3mm	82.3mm
LED	6PCS	10PCS	20PCS	30PCS	40PCS	50PCS

## DOUBLE ROW

### Dimension



size	4"	6"	10"	20"	30"	40"	50"
A	83.4mm	83.4mm	83.4mm	83.4mm	83.4mm	83.4mm	83.4mm
B	88.6mm	88.6mm	88.6mm	88.6mm	88.6mm	88.6mm	88.6mm
C	65.7mm	65.7mm	65.7mm	65.7mm	65.7mm	65.7mm	65.7mm
D	140.0mm	190.8mm	292.4mm	546.4mm	800.4mm	1054.4mm	1308.4mm
E	141.0mm	191.8mm	293.4mm	547.4mm	801.4mm	1055.4mm	1309.4mm
F	201.3mm	252.1mm	353.7mm	607.7mm	861.7mm	1115.7mm	1369.7mm
LED	8PCS	12PCS	20PCS	40PCS	60PCS	80PCS	100PCS

